



**FL 1708**  
For technical personnel only!  
1/2

# APPLICATION INFO

## BEARINGS IN FORKLIFT TRUCKS GUIDANCE OF THE FORK LATERAL ADJUSTMENT

### INDUSTRY

Forklift truck technology, transport device construction, storage technology

### PRODUCT USED

KS Permaglide® plain bearing half-shell model PAX ... P200

### FUNCTION

Forklift trucks are used for lifting, transporting and unloading loads on pallets, e.g. in logistics and manufacturing companies.

The lifting mechanism of forklift trucks consists of a lift mast and a fork carriage with 2 fork arms. The forks can be lifted or lowered and adjusted laterally on the lift mast so that the loads can be positioned and held easily. The forks can be moved hydraulically via a carriage plate.

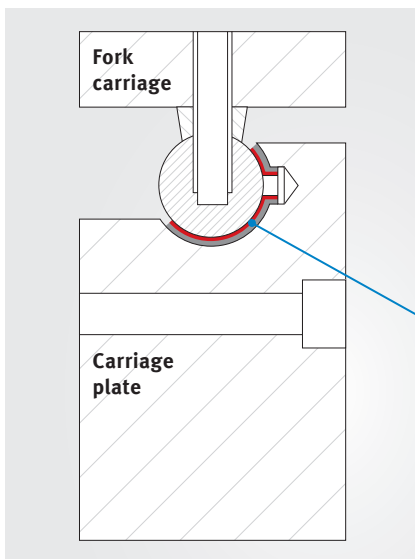
When positioning the pallets, severe shocks and asymmetrical stress act on the forks. Depending on the field of use, forklift trucks are subjected to a wide range of ambient conditions, such as dust, moisture, cold or heat.

### REQUIREMENTS FOR THE BEARINGS IN FORKLIFT TRUCKS

- insensitive to shocks and vibrations
- insensitive to high edge loading with asymmetrical stress
- insensitive to extreme ambient conditions
- high operational safety
- long service life
- low maintenance requirements

### BEARING WITH KS PERMAGLIDE® P200 PLAIN BEARING HALF-SHELLS

In the application, the guide of the fork lateral adjustment can be fitted with low-maintenance plain bearing half-shells made of the material KS Permaglide® P200. This ensures that the forks can be adjusted laterally jerk-free and without being canted. The smooth adjustment of the forks is also guaranteed under extreme ambient conditions with low maintenance requirements.



Bearings in forklift trucks with KS Permaglide® plain bearing half-shells, type PAX ... P200



**FL 1708**

For technical personnel only!  
2/2

### ADVANTAGES OF THE KS PERMAGLIDE® P200 PLAIN BEARING HALF-SHELLS FOR USE IN FORKLIFT TRUCKS

- high wear resistance
- highly stressable
- smooth running
- constant and low friction value
- insensitive to shocks and impacts
- insensitive to dirt and moisture
- insensitive to high edge loading
- low-maintenance operation with lubrication
- lead-free
- compliant with Directive 2011/65/EU (RoHS II)



Guidance of the fork lateral adjustment



**Further information on  
KS Permaglide® plain bearings**  
KS Permaglide® catalogue,  
item no. 50003863-02